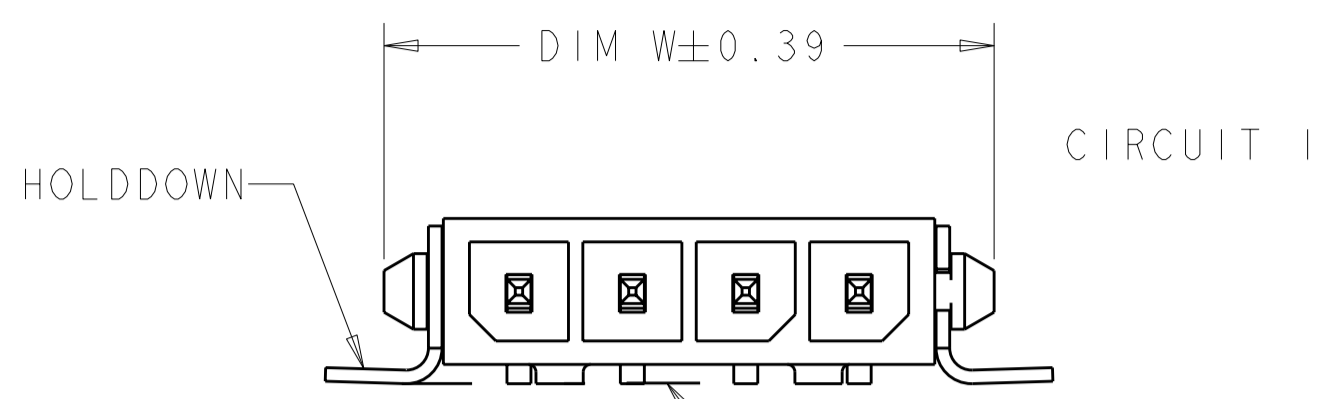
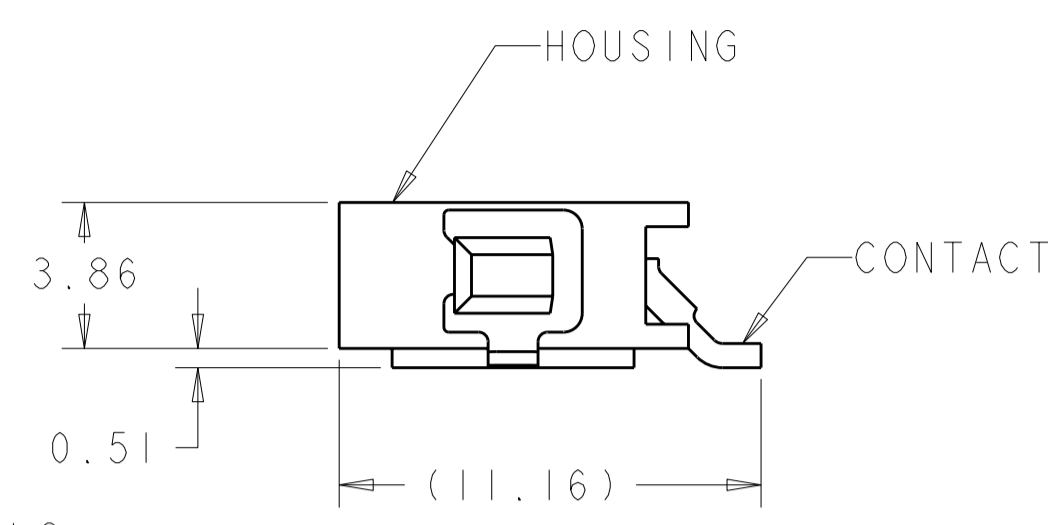


THIS DRAWING IS UNPUBLISHED. RELEASED FOR PUBLICATION 20  
 © COPYRIGHT 20 BY TYCO ELECTRONICS CORPORATION. ALL RIGHTS RESERVED.

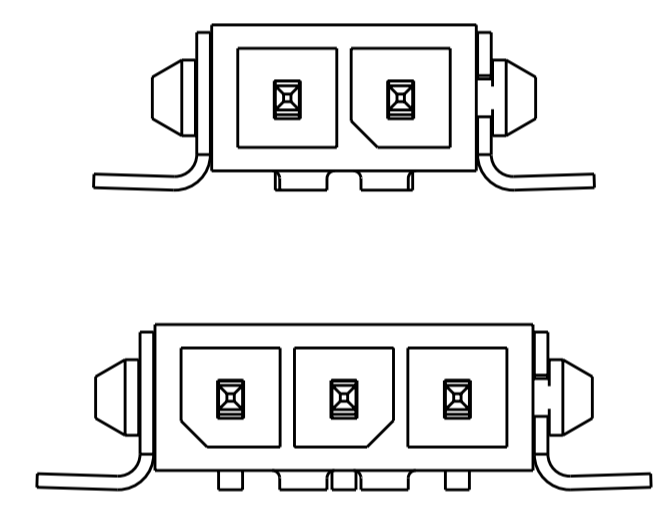
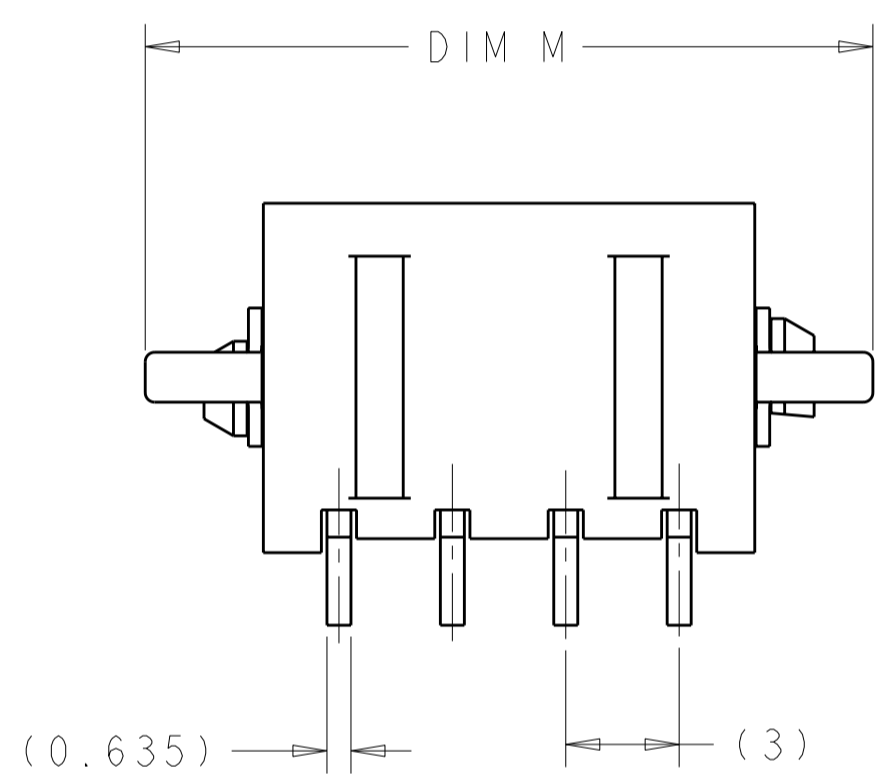
LOC	DIST	REVISIONS					
CM	00	P	LTR	DESCRIPTION	DATE	DWN	APVD
		I		PRE-RELEASED	27NOV2007	KW	CJ
		A		ECO-08-006839	24MAR2008	KW	CJ



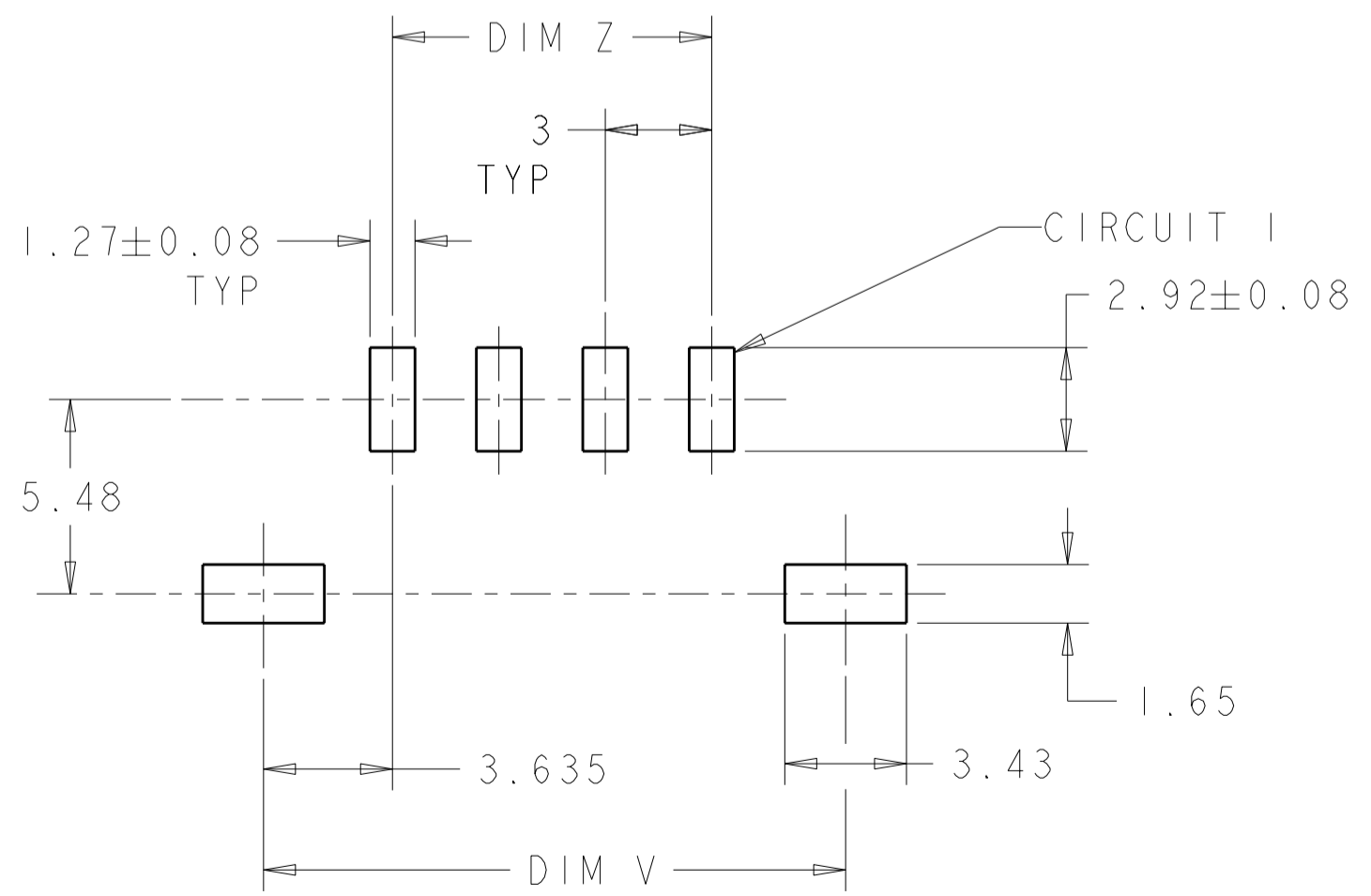
0.15  
 INCLUDES CONTACT TAILS,  
 HOUSING STANDOFFS, AND  
 BOARDLOCKS



- ⚠ MATERIAL: CONTACTS - BRASS  
 HOUSING - UL 94V-0 RATED HIGH TEMP NYLON,  
 COLOR BLACK.  
 HOLDDOWNS - PHOSPHOR BRONZE.
- ⚠ PLATING: CONTACTS - 2.54µm MINIMUM TIN OVER 1.27µm MINIMUM NICKEL.  
 HOLDDOWNS - 2.54µm MINIMUM TIN OVER 1.27µm MINIMUM NICKEL.
- ⚠ RECOMMENDED PC BOARD THICKNESS OF 1.57.



KEYING BY POSITION SIZE



PCB LAYOUT COMPONENT SIDE ⚠

19.25	9	16	16.41	4	2029030-4
16.25	6	13	13.41	3	2029030-3
13.25	3	10	10.41	2	2029030-2
DIM M	DIM Z	DIM W	DIM V	NO. OF POSN	PART NUMBER

THIS DRAWING IS A CONTROLLED DOCUMENT FOR TYCO ELECTRONICS CORPORATION. IT IS SUBJECT TO CHANGE AND THE CONTROLLING ENGINEERING ORGANIZATION SHOULD BE CONTACTED FOR THE LATEST REVISION.		DWN K. WHITAKER 27NOV2007	Tyco Electronics Harrisburg, PA 17105-3608	
DIMENSIONS: mm		CHK C. JONES 27NOV2007	NAME RT ANG SURF MNT HDR ASSY, SGL LATCH, TIN POSTS, SURF MOUNT HOLDDOWNS, SINGLE ROW, MICRO MATE-N-LOK(TM)	
TOLERANCES UNLESS OTHERWISE SPECIFIED: 0 PLC ± 1 PLC ± 2 PLC ±0.13 3 PLC ± 4 PLC ± ANGLES ± FINISH		APVD C. JONES 27NOV2007	RESTRICTED TO	
MATERIAL		PRODUCT SPEC	SIZE A200779	DRAWING NO C-2029030
⚠		APPLICATION SPEC	SCALE 5:1	SHEET 1 OF 1
⚠		WEIGHT	REV A	
CUSTOMER DRAWING				

